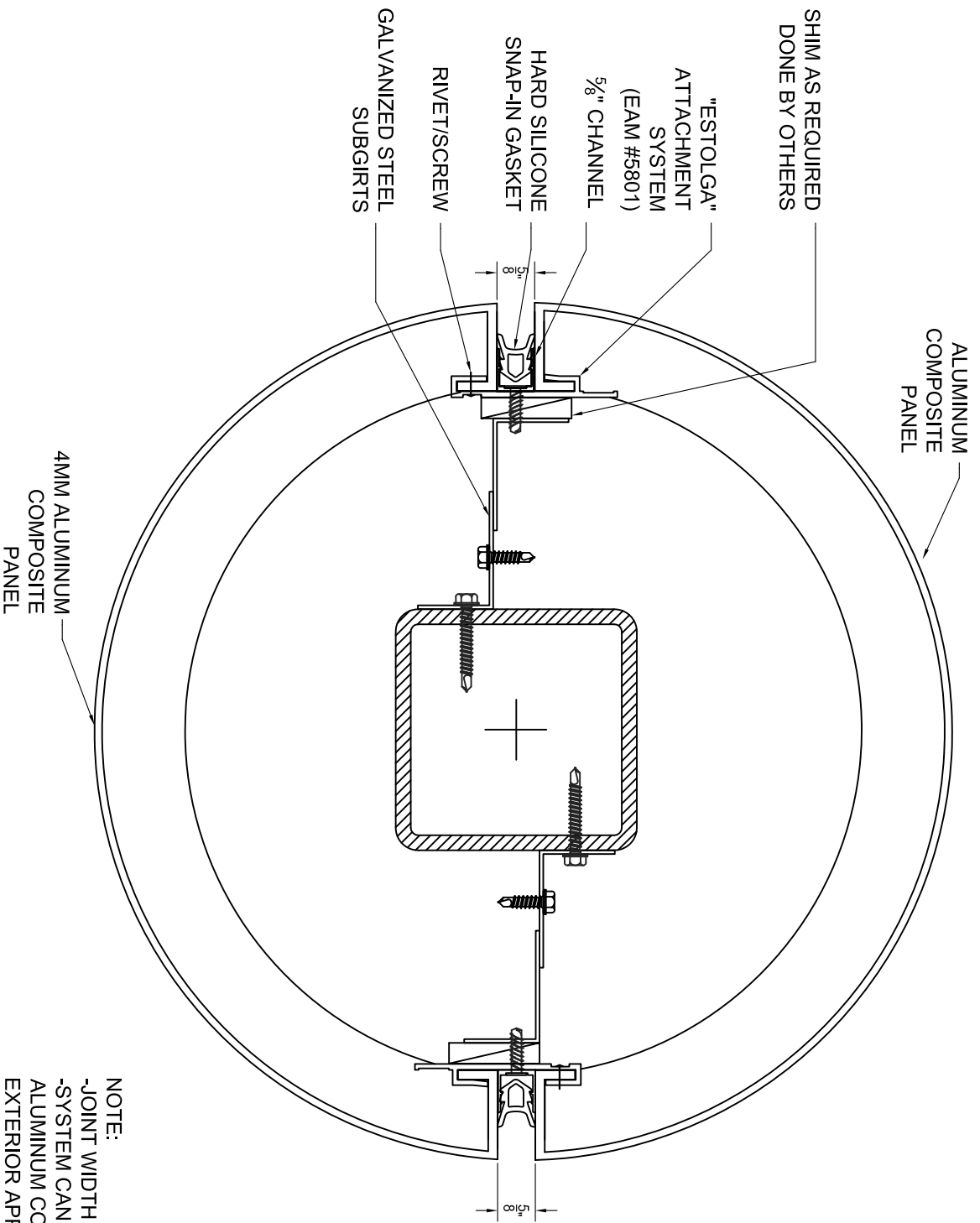


- ALUMINUM COMPOSITE PANEL
- "ESTOLGA" ATTACHMENT SYSTEM (EAM #5801)
- 5/8" CHANNEL
- HARD SILICONE SNAP-IN GASKET (COLOR BY ARCHITECT)
- RIVET/SCREW AS REQUIRED
- SHIM AS REQUIRED DONE BY OTHERS
- GALVANIZED STEEL SUBGIRTS DONE BY OTHERS

ASTM 283, 330 & 331

NOTE:  
 -JOINT WIDTH IS ADJUSTABLE  
 -SYSTEM CAN BE USED WITH 4MM OR 6MM ALUMINUM COMPOSITE MATERIAL FOR EXTERIOR APPLICATION AND 3MM OR 4MM ALUMINUM COMPOSITE MATERIAL FOR INTERIOR APPLICATION

<b>AlliedMetal</b> <b>"ESTOLGA 3000"</b> Dry Seal System 888-520-8800 <a href="http://www.alliedmetal.com">www.alliedmetal.com</a>		Date: _____ Project Name: <b>COLUMN COVER</b>	Scale: <b>NTS</b>	Project Address: _____ <b>Curved Column Cover</b>
------------------------------------------------------------------------------------------------------------------------------------------------	--	--------------------------------------------------	-------------------	------------------------------------------------------



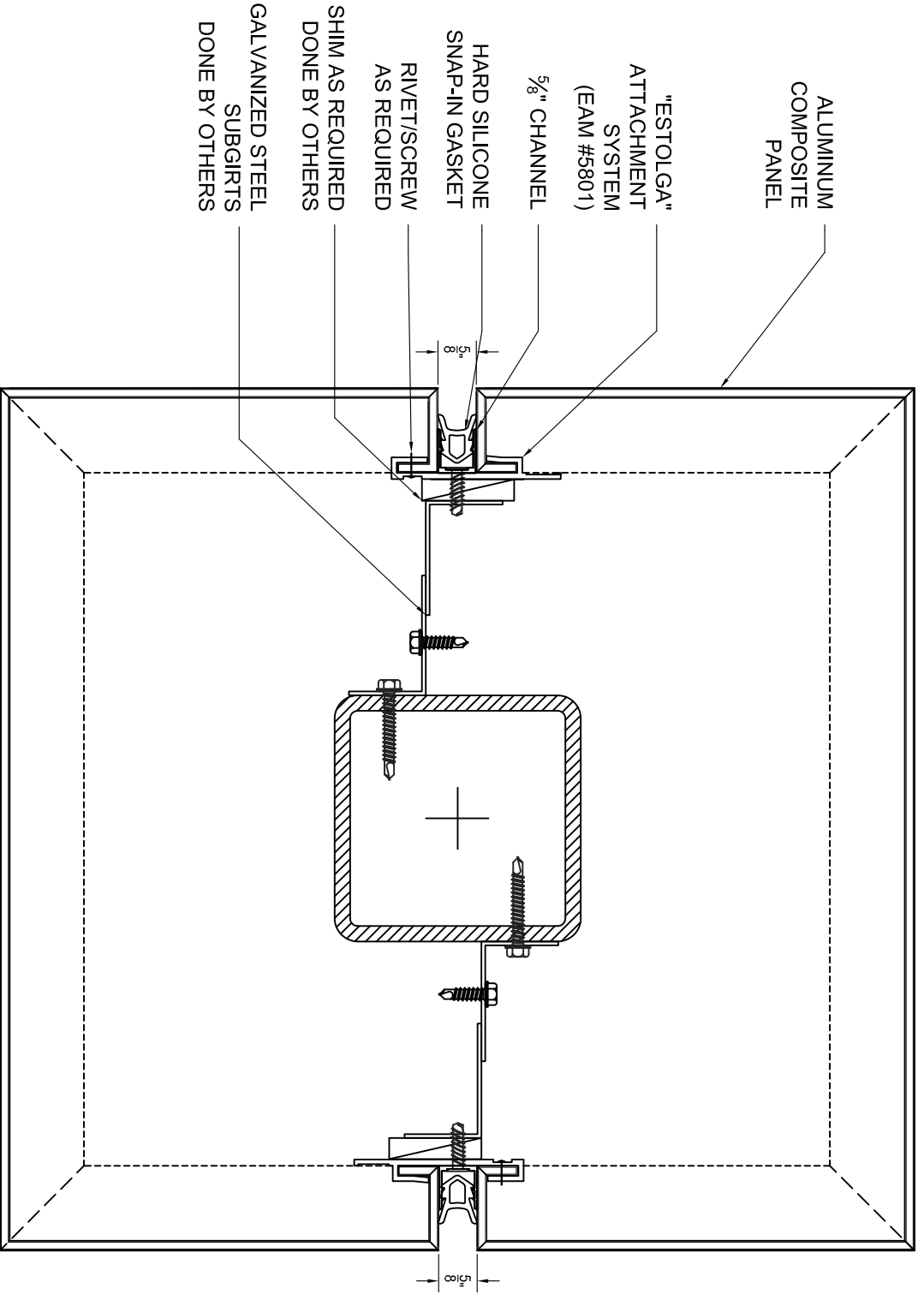
ASTM 283, 330 & 331

NOTE:  
 -JOINT WIDTH IS ADJUSTABLE  
 -SYSTEM CAN BE USED WITH 4MM OR 6MM ALUMINUM COMPOSITE MATERIAL FOR EXTERIOR APPLICATION AND 3MM OR 4MM ALUMINUM COMPOSITE MATERIAL FOR INTERIOR APPLICATION

**AlliedMetal**  
**"ESTOLGA 3000"**  
 Dry Seal System  
 888-520-8800  
 www.alliedmetal.com

Date: \_\_\_\_\_ Scale: NTS  
 Project Name: COLUMN COVER

Project Address: \_\_\_\_\_  
**Column Cover Section**



ALUMINUM  
COMPOSITE  
PANEL

"ESTOLGA"  
ATTACHMENT  
SYSTEM  
(EAM #5801)

5/8" CHANNEL

HARD SILICONE  
SNAP-IN GASKET

RIVET/SCREW  
AS REQUIRED

SHIM AS REQUIRED  
DONE BY OTHERS

GALVANIZED STEEL  
SUBGIRTS  
DONE BY OTHERS

**AlliedMetal**

"ESTOLGA 3000"

Dry Seal System  
888-520-8800  
www.alliedmetal.com

Date:

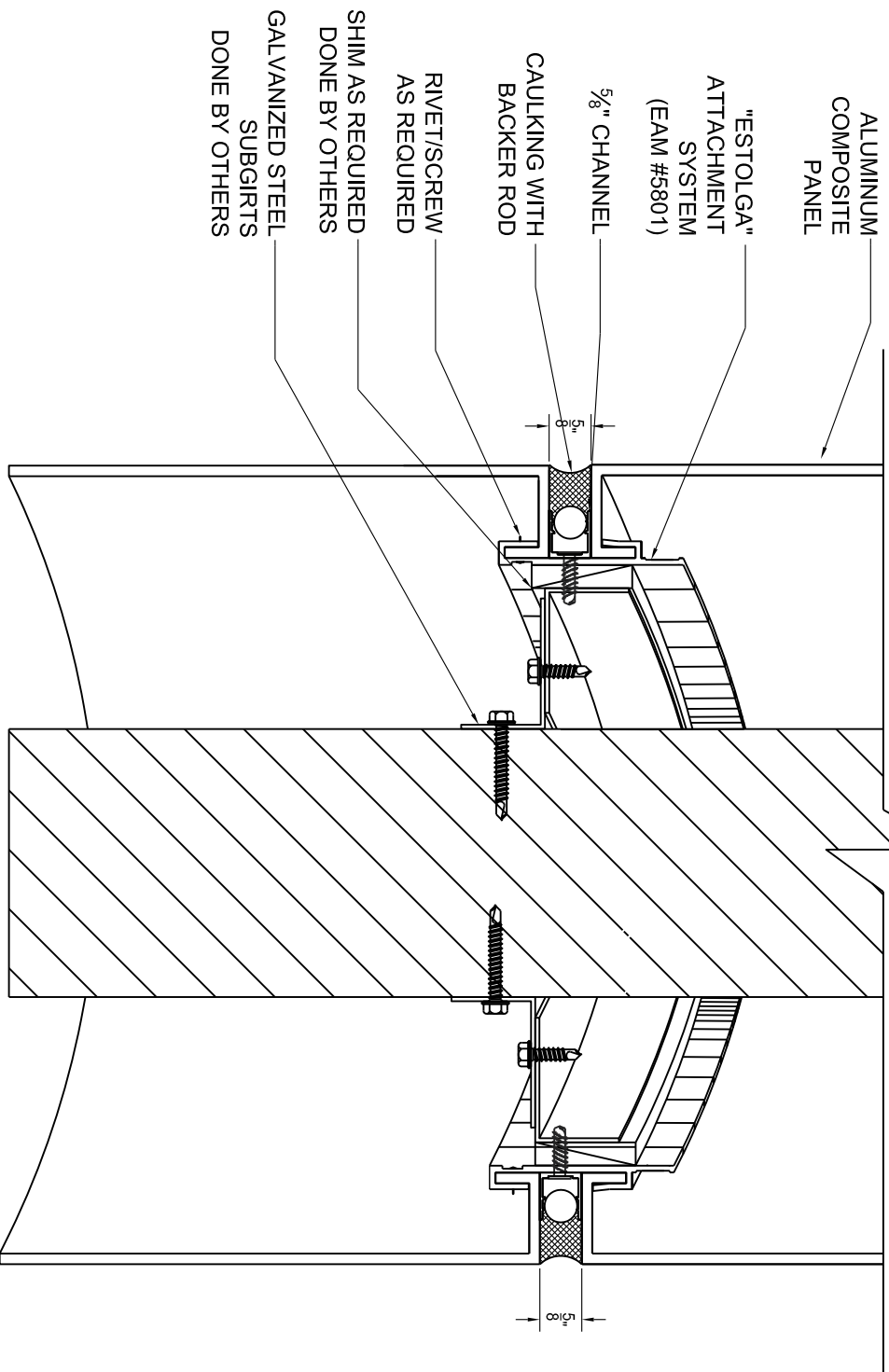
Scale: NTS

Square Column Cover

Project Name:

COLUMN COVER

Project Address:



ALUMINUM COMPOSITE PANEL

"ESTOLGA" ATTACHMENT SYSTEM (EAM #5801)

5/8" CHANNEL

CAULKING WITH BACKER ROD

RIVET/SCREW AS REQUIRED

SHIM AS REQUIRED DONE BY OTHERS

GALVANIZED STEEL SUBGIRTS DONE BY OTHERS

ASTM 283, 330 & 331

NOTE:  
 -JOINT WIDTH IS ADJUSTABLE  
 -SYSTEM CAN BE USED WITH 4MM OR 6MM ALUMINUM COMPOSITE MATERIAL FOR EXTERIOR APPLICATION AND 3MM OR 4MM ALUMINUM COMPOSITE MATERIAL FOR INTERIOR APPLICATION

**AlliedMetal**  
 "ESTOLGA 3000"  
 Wet Seal System  
 888-520-8800  
 www.alliedmetal.com

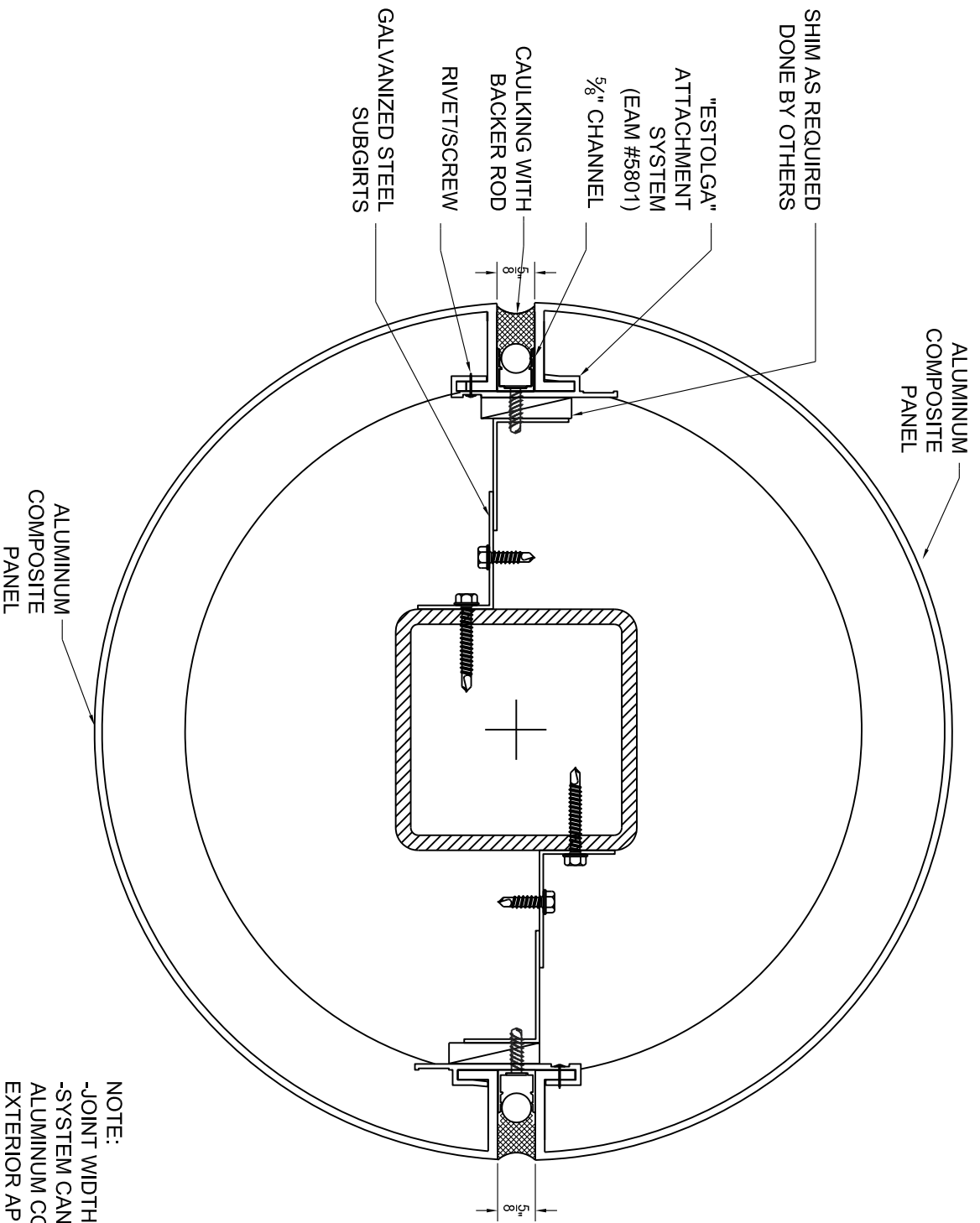
Date: \_\_\_\_\_

Project Name: **COLUMN COVER**

Scale: **NTS**

Project Address: \_\_\_\_\_

**Curved Column Cover**



SHIM AS REQUIRED  
DONE BY OTHERS

"ESTOLGA"  
ATTACHMENT  
SYSTEM  
(EAM #5801)

5/8" CHANNEL

CAULKING WITH  
BACKER ROD

RIVET/SCREW

GALVANIZED STEEL  
SUBGIRTS

ALUMINUM  
COMPOSITE  
PANEL

ALUMINUM  
COMPOSITE  
PANEL

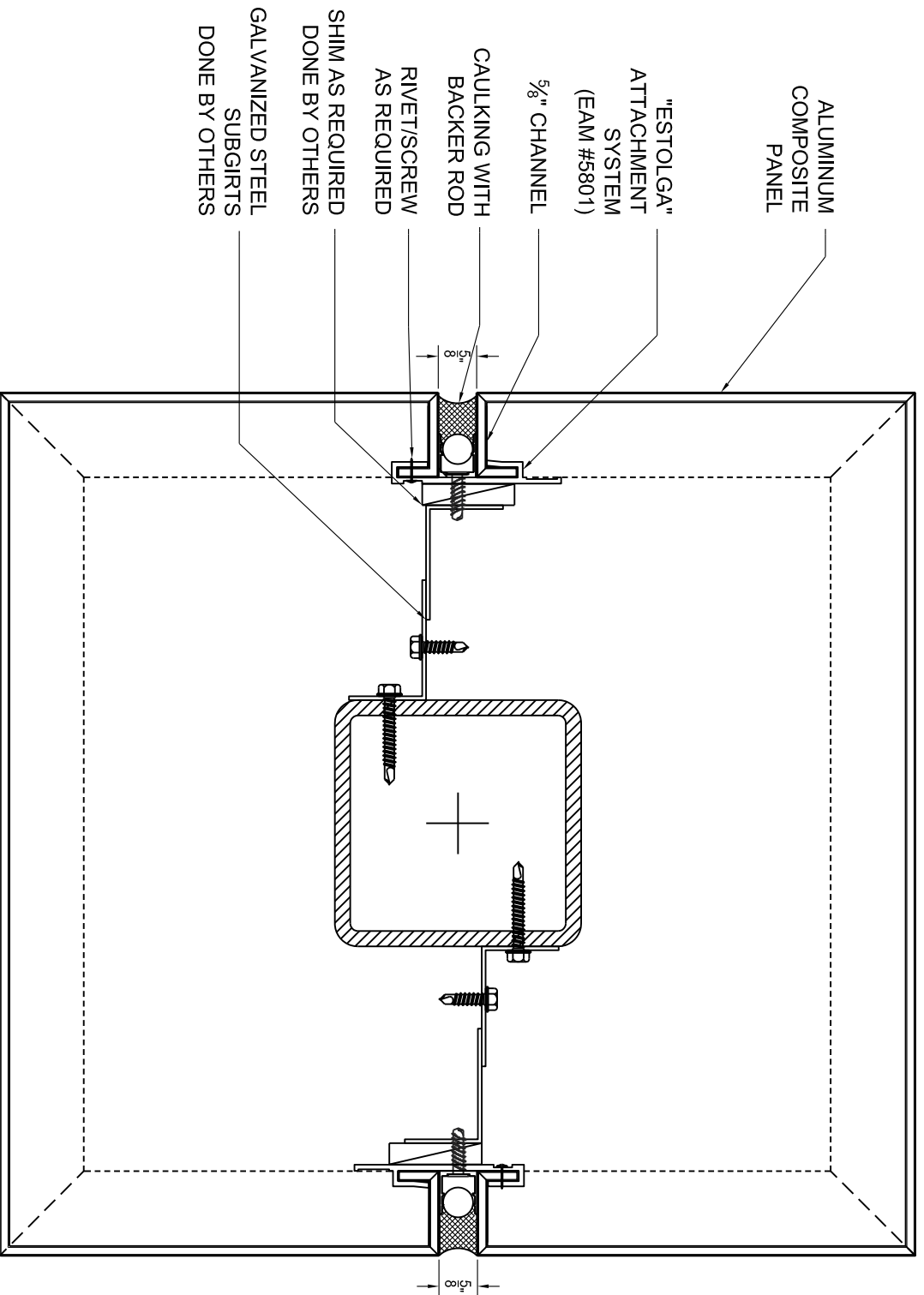
ASTM 283, 330 & 331

NOTE:  
-JOINT WIDTH IS ADJUSTABLE  
-SYSTEM CAN BE USED WITH 4MM OR 6MM  
ALUMINUM COMPOSITE MATERIAL FOR  
EXTERIOR APPLICATION AND 3MM OR 4MM  
ALUMINUM COMPOSITE MATERIAL FOR  
INTERIOR APPLICATION

**AlliedMetal**  
"ESTOLGA 3000"  
Wet Seal System  
888-520-8800  
www.alliedmetal.com

Date: \_\_\_\_\_ Scale: NTS  
Project Name: COLUMN COVER

Project Address: \_\_\_\_\_  
**Column Cover Section**



ASTM 283, 330 & 331

NOTE:  
 -JOINT WIDTH IS ADJUSTABLE  
 -SYSTEM CAN BE USED WITH 4MM OR 6MM ALUMINUM COMPOSITE MATERIAL FOR EXTERIOR APPLICATION AND 3MM OR 4MM ALUMINUM COMPOSITE MATERIAL FOR INTERIOR APPLICATION

**AlliedMetal**  
 "ESTOLGA 3000"  
 Wet Seal System  
 888-520-8800  
 www.alliedmetal.com

Date: \_\_\_\_\_ Scale: NTS

Project Name: COLUMN COVER

Project Address: \_\_\_\_\_

**Square Column Cover**